

Device Instruction

SM8_PWR is an I2C multiplexer makes possible to read multi I2C devices with the same address. The device is mainly designed to read multi SHTxx sensors from one MFCTH controller but can be used to read multiple I2C devices of any type. SM8_PWR can be powered directly from MFCTH but in case of using I2CR_LE for long I2C Bus line connection and due voltage drop of long line impedance it's highly recommended to power it up using external 24VDC.

Specification

- Power Supply: 12-35VDC
- Operating temperature range: -20 to 60 °C

Enclosure

- ABS plastic
- Protection class: IP64
- Dimension: 115x85x35 mm

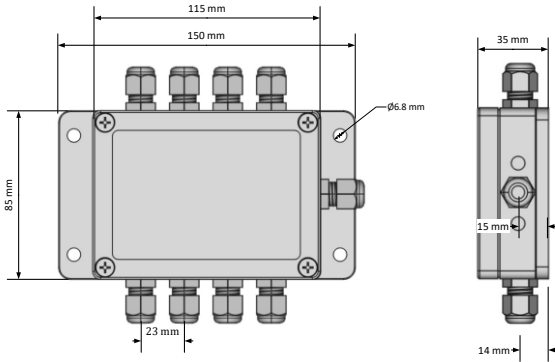
Compliance norms & standards

- EMC directive 2014/30/EU:
- Low Voltage Directive 2014/35/EU
- CE conformity

Intended area to use

- Industry
- Home
- Office
- Lab

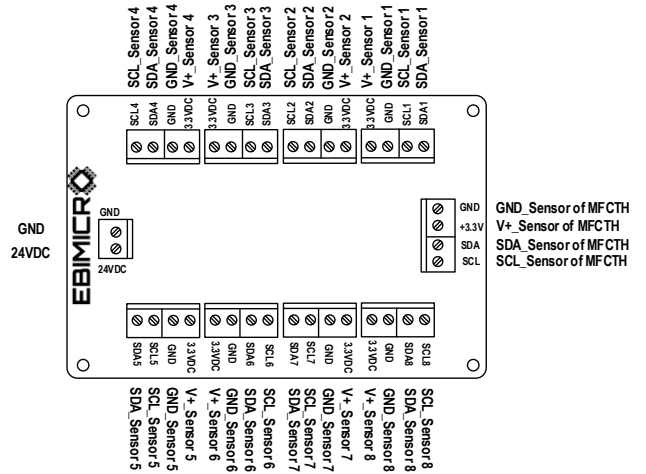
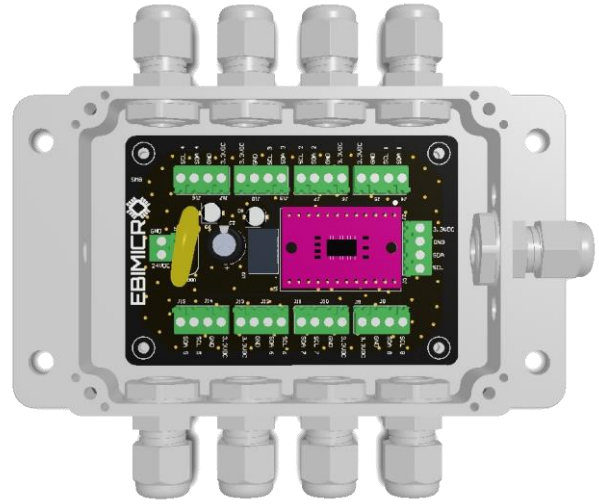
Mounting Installation



Packaging

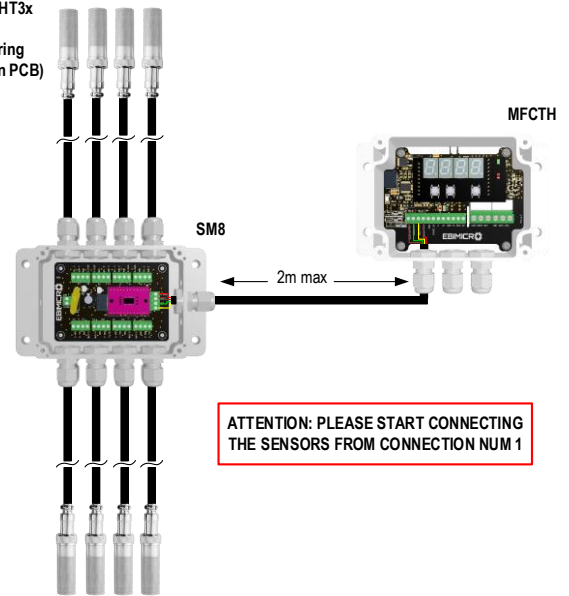


Wiring Diagram



Typical Wiring and installation overview

Up to 8 SHT2x/SHT3x Sensors
(*Follow the wiring diagram printed on PCB)



ATTENTION: PLEASE START CONNECTING THE SENSORS FROM CONNECTION NUM 1



Hoogkamerstraat 188
9140, Temse
Oost-Vlaanderen, Belgium
<https://ebimicro.com>